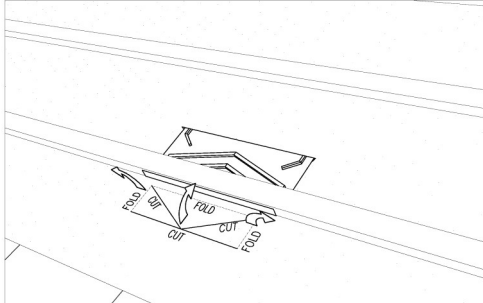


FIXING INSTRUCTIONS

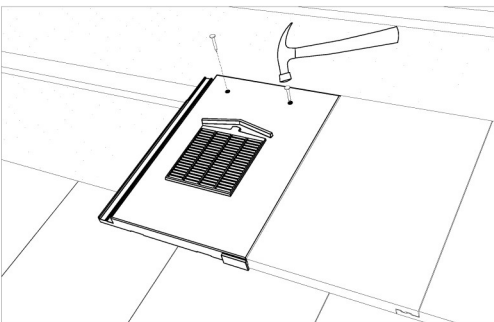
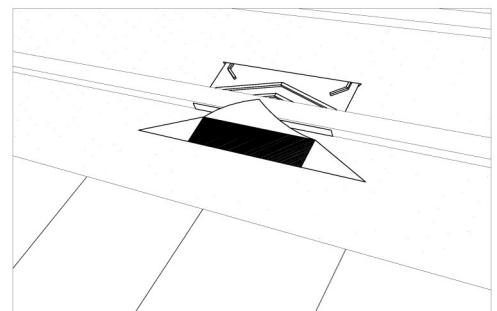
Venta-Line TLE (Thin Leading Edge) Tile Ventilator

FLAT INTERLOCKING TYPE



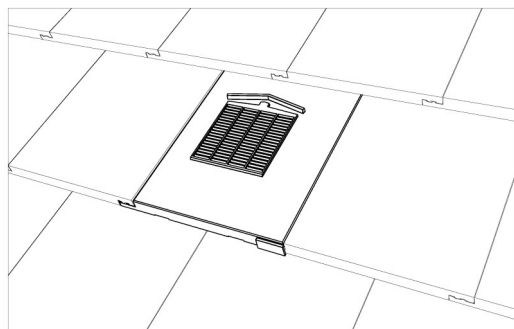
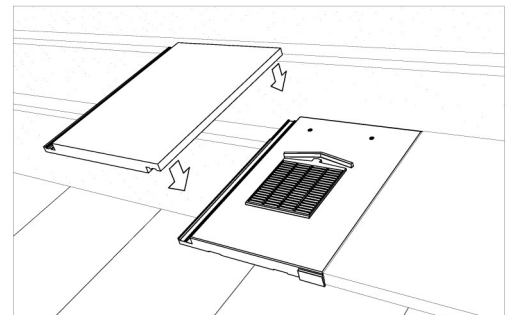
1 - Determine the position for the ventilator between rafters and mark out the location where the throat of the ventilator will pass through the underlay as shown. Cut a 340mm long slot in the underlay above the batten to accept the underlay protector which should pass under the batten and into the slot. This needs to be done prior to locating the ventilator.

2 - Directly below the batten, cut and fold the underlay as shown to accept the throat of the ventilator. Ensure that cuts in the underlay do not extend beyond the sides of the throat. Fold the flaps outward so they are on the outside of the underlay, the top flap should be folded over the batten above and pinned in place.



3 - Place the throat of the ventilator through the underlay aperture and ensure that all moulded interlocks and integral clips are engaged with the adjacent tiles before nailing the ventilator in place through the fixing hole indicators. If a pipe adaptor and flexi pipe are to be used, attach these prior to installing the ventilator.

4 - When the ventilator is secured as per the preceding steps, continue to place and fix tiles as normal, according to manufacturer instructions.



5 - When all tiles have been placed and fixed according to manufacturer instructions, the in-line tile ventilator should be flush and in line with its surrounding tiles.

Please note that this product is not compatible with the Sandtoft Danum TLE and Dual Danum TLE roof tiles.



GLIDEVALE PROTECT

Studio 9, Jackson House, Sibson Road, Sale, Greater Manchester, M33 7RR
T: +44 (0)161 905 5700 W: glidevaleprotect.com E: technical@glidevaleprotect.com