

# FIXING INSTRUCTIONS - PROTECT FRAMESAFE 5000 FR AND PROTECT FR TAPE

## STORAGE

Products should be stored in their original packaging, in dry conditions, at room temperature, not warmer than 30°C. Care should be taken to avoid storage in high humidity environments or in direct sunlight.

## EXPOSURE TIME

Protect FrameSafe 5000 FR should be covered as soon as possible with a maximum exposure time of 6 months.

## CUTTING

Membrane can be cut using scissors or other suitable cutting device.

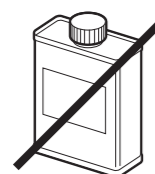
## BONDING CONDITIONS FOR PROTECT FR TAPE

Correct consideration should be taken of the surfaces to be bonded. They must be dry and free of all contamination including dust, oils, fats, oxidation and release agents.

Protect FR tape is a pressure sensitive adhesive which relies on pressure applied over the adhesive line to achieve an adequate bond. If required, use a hand roller to secure the overlaps. Initial tack of the adhesive will reduce at temperatures <15°C and tape should not be applied below 0°C. It may take up to 72 hours to achieve full bond strength.

## FIXING

For recommended mechanical fixings along with installation and detailing guidance, including maximum gaps allowable for use with the membrane on open jointed cladding applications, please contact Glidevale Protect's Technical team at [technical@glidevaleprotect.com](mailto:technical@glidevaleprotect.com)



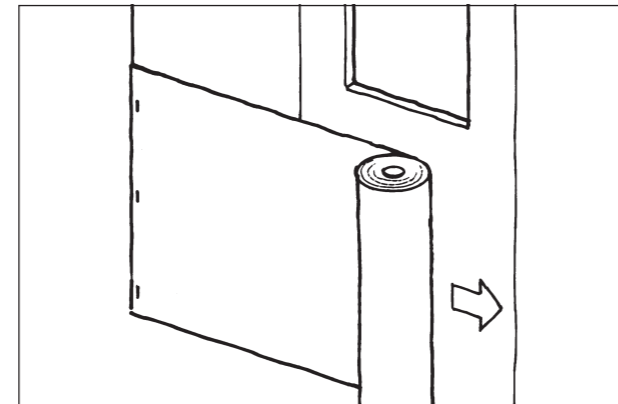
Do not use in direct contact with organic solvents



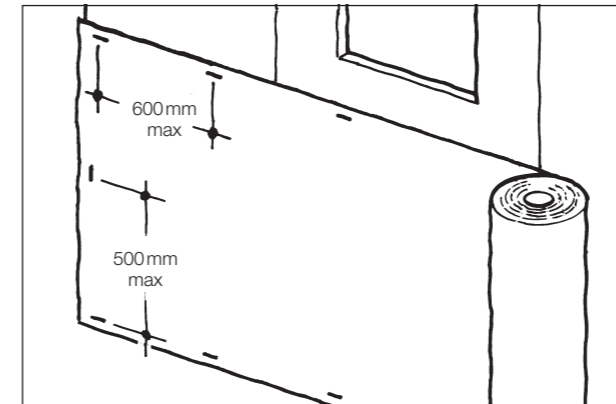
For technical advice telephone +44 (0)161 905 5700

**Other products purchased with this membrane:**  
Protect FR tape

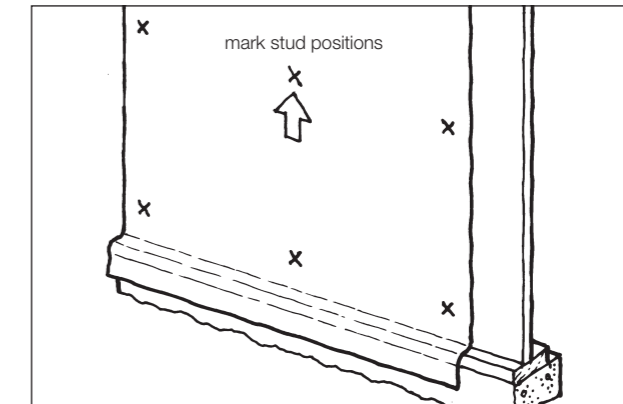
## INSTALLATION



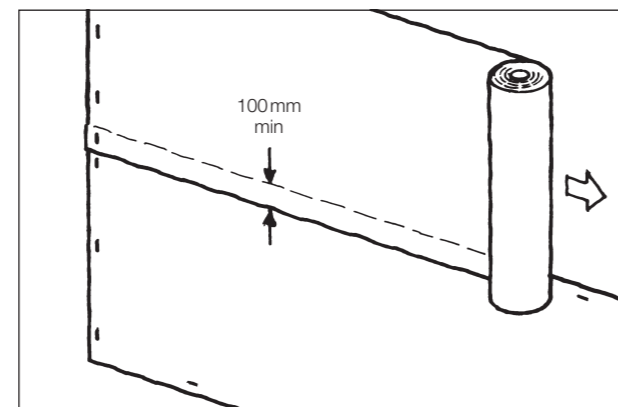
**1** Unroll across substrate horizontally with the 'black' coated surface of the membrane facing outwards.



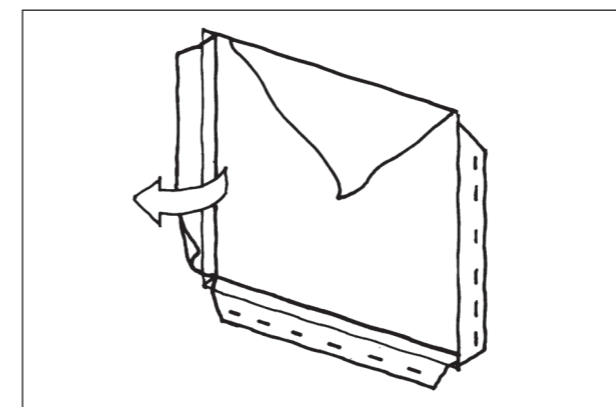
**2** Secure membrane with suitable mechanical fixings at maximum 500mm vertical centres and maximum 600mm horizontal centres.



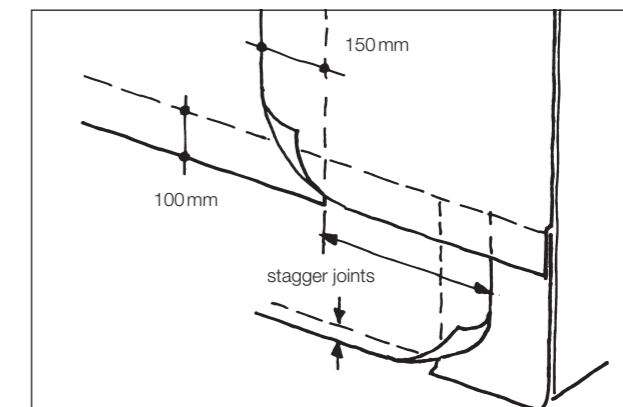
**3** Ensure lowest structure of wall is protected and lapped by 100mm.



**4** Fix second layer and repeat up to roof abutment. Ensure 100mm minimum horizontal laps and 150mm minimum vertical laps and seal with Protect FR tape.

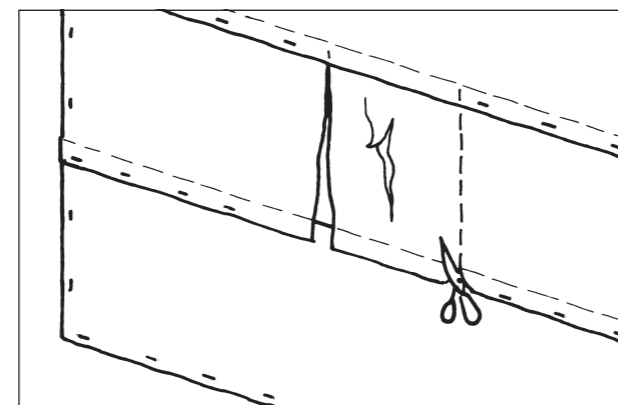


**5** Dress into door and window recesses and fix with suitable mechanical fixings at 200mm centres.

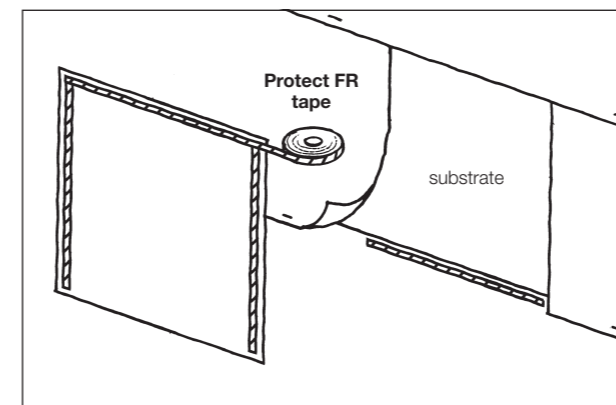


**6** Lap membrane correctly. At corner situations, return membrane 300mm round external corners and fix. Membrane can be secured temporarily with tape but must be mechanically secured immediately afterwards.

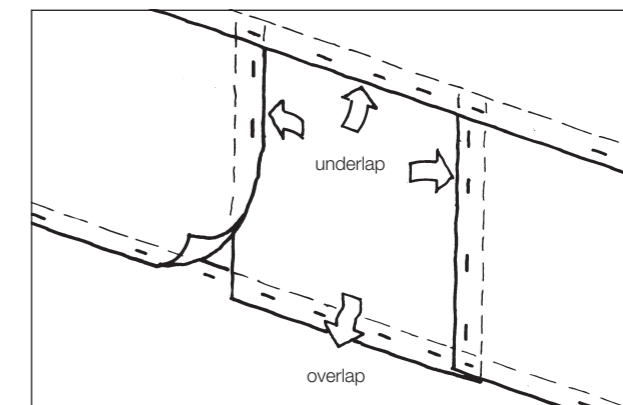
## REPAIR



**1** Replace damaged and torn membrane with a patch of membrane.



**2** Patch should be lapped accordingly and sealed with Protect FR tape. It is recommended to pre-apply tape to the patch.



**3** Once the patch is in place, tape seals should be securely pressed down and mechanical fixings applied.