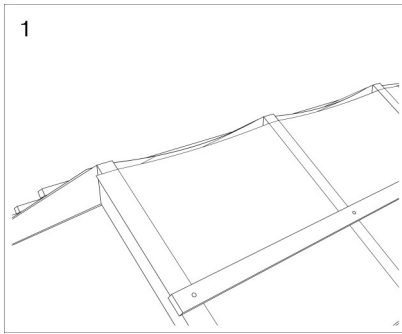


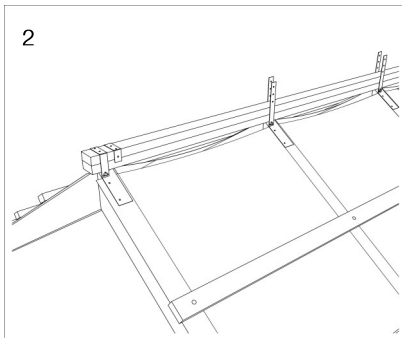
FIXING INSTRUCTIONS

Fulmetal UniRoll (Ridge Installation)

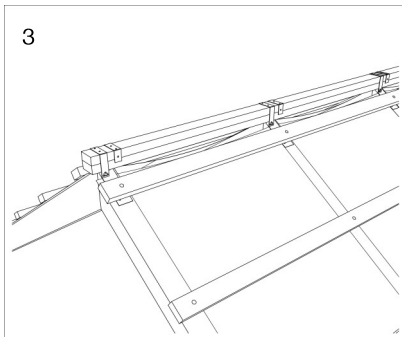


1. For unventilated dry ridge applications, install the underlay as normal.

For ventilated dry ridge applications, lay the underlay ensuring it is set back 30mm short of the apex on both sides of the roof to allow for ventilation. Don't fix top tiling batten at this stage.

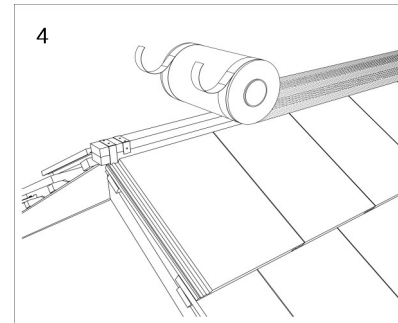


2. Fix galvanised ridge batten straps to each truss or rafter using clout nails. Using 25mm tiling battens make the ridge batten. For most tile profiles two to three battens will suffice. An extra batten may be necessary if a ridge board already exists. Secure the battens in place with ridge batten strap supplied overlapping the arms as necessary. Fix with clout head nails.

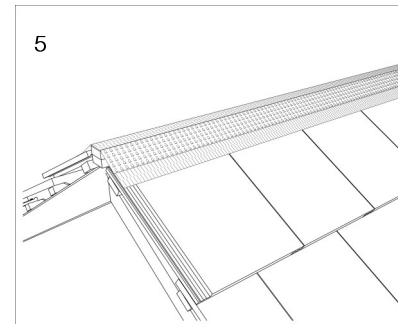


3. Fix the top tiling batten ensuring an air gap is maintained.

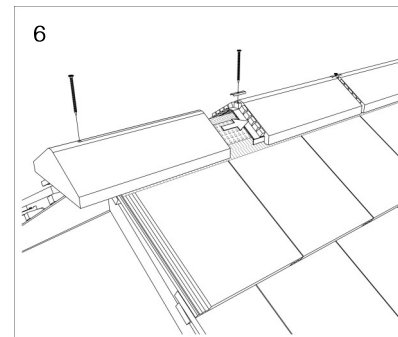
Complete tiling as normal.



4. Unroll the Protect Fulmetal UniRoll centrally over the ridge batten ensuring a 75mm overlap on each side of the top course of tiles. Secure in place every 300mm with clout nails or staples. Any joins should be overlapped by a minimum of 75mm.



5. Remove protective paper from the adhesive strip and press down firmly onto dry, clean tiles all the way along the ridge. For deeply profiled tiles, additional care is needed to work the Fulmetal UniRoll into the pans.



6. Locate the block end ridge tile over the centre of the roll and secure it with a screw. It may be necessary to drill a hole in the ridge approximately 30-40mm from the block end for this purpose. Continue along the ridge, placing a union between each of the ridge tiles (dependant on the profile trimming of the union may be required so that the ridge sits firmly on the tile on both sides). Fix with plates and screws provided.

Other products that can be used in unison here are: A1, A1T3 Plus, Wunderlay, VP300, Viking Air, Zytac and VP400 Plus LR roofing underlays. All other Glidevale Protect roofing accessories are suitable for use with these underlays and this product.

Company names and product descriptions are the registered trade marks of the relevant manufacturer.

GLIDEVALE PROTECT

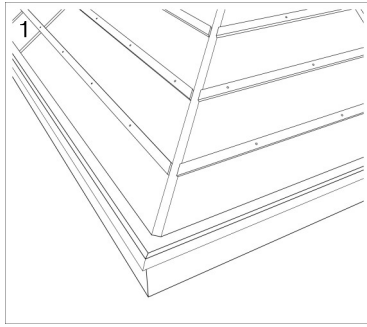
2 Brooklands Road, Sale, Cheshire, M33 3SS

T: +44 (0)161 905 5700 F: +44 (0)161 905 2085

W: glidevaleprotect.com E: technical@glidevaleprotect.com

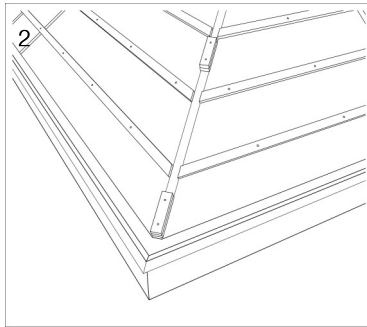
FIXING INSTRUCTIONS

Fulmetal UniRoll (Hip Installation)

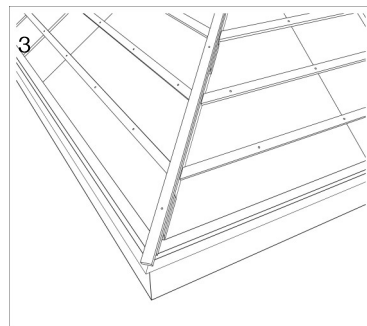


1. For unventilated dry hip applications, install the underlay as normal.

For ventilated dry hip applications, lay the underlay and battens, cutting the underlay 30mm short of the hip on both sides of the hip to allow for ventilation. Ensure the ends of the battens are securely fixed where they meet the hip.



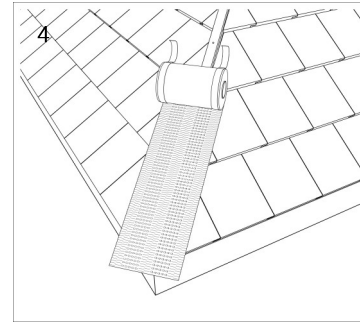
2. Hip batten supports in 50mm x 50mm timber should be screw fixed at the eaves and apex and spaced along the line of the hip rafter in between the tiling batten spaces as shown. Supports could be constructed from 2 x 25mm tiling battens.



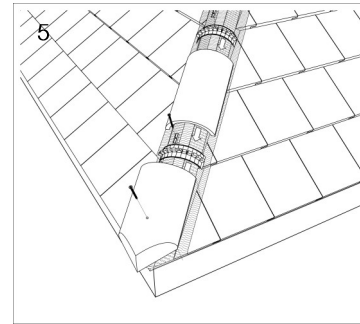
3. Screw fix hip batten constructed from 50 x 50mm timber to the supports.

Complete tiling, cutting the tiles neatly against the hip batten. No cut tiles should be more than 30mm from the hip batten. Small tile cuts should be secured mechanically or by using a proprietary adhesive or other fixing method.

Tile as normal leaving a minimum space of 5mm from hip batten.

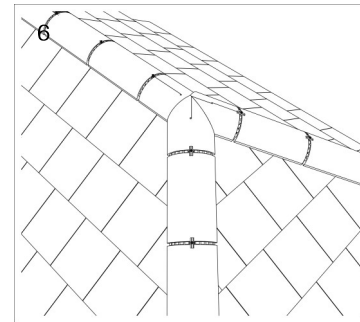


4. Working from the eaves, secure the Protect Fulmetal UniRoll in place centrally over the hip batten using corrosion resistant clout nails or staples. Roll out along the hip batten and fix at 300mm centres. Remove protective paper from the adhesive strip and press down firmly onto dry, clean tiles all the way up both sides of the hip. A hip carrier is available to assist with aligning the hip tiles and prevent rocking when used with profiled tiles (available as separate order).



5. Using a 100mm screw provided, secure the block end hip tile to the hip batten. It may be necessary to drill a hole in the hip tile approximately 30-40mm from the block end for this purpose.

Continue up the hip, placing a union between each hip tile and secure using the 100mm screws and fixing plates provided. Dependant on the hip tile profile, trimming of the union may be required so that the hip tile sits firmly on the tiles on both sides.



6. At the apex close mitre the hip and ridge tiles, drill and secure to the hip and ridge batten using the 100mm screws provided. If Protect Fulmetal UniRoll is not used on the ridge continue the roll 200mm onto the ridge in place of the standard lead saddle detail.

Other products that can be used in unison here are: A1, A1T3 Plus, Wunderlay, VP300, Viking Air, Zytac and VP400 Plus LR roofing underlays. All other Glidevale Protect roofing accessories are suitable for use with these underlays and this product.

Company names and product descriptions are the registered trade marks of the relevant manufacturer.

GLIDEVALE PROTECT

2 Brooklands Road, Sale, Cheshire, M33 3SS

T: +44 (0)161 905 5700 F: +44 (0)161 905 2085

W: glidevaleprotect.com E: technical@glidevaleprotect.com