

FIXING INSTRUCTIONS - PROTECT VIKING AIR

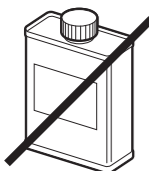
GENERAL

- In accordance with good building practice, Protect Viking Air is to be covered as soon as possible after installation and preferably not more than one month after initial exposure. In cases of extreme weather, this exposure period should be reduced (see fixing section below).
- If the exposure period exceeds one month then advice must be sought from the Glidevale Protect Technical department.
- Do not lay Protect Viking Air in contact with any undried timber preservative (whether water or solvent based).
- Store rolls on a flat dry surface, protected from the weather.
- Fix Protect Viking Air using extra large clout nails of copper, aluminium alloy or galvanised steel, 20mm x 3.5 mm or stainless steel staples.
- Protect Viking Air can be easily cut with a sharp knife and remains flexible at all normal working temperatures.

FIXING

Air and vapour permeable underlays are not a total waterproof barrier and if used as a temporary waterproof covering, some rain penetration may occur.

In certain conditions, particularly if there is persistent heavy rainfall combined with subsequent freeze/thaw conditions, an underlay should not be exposed for more than a few days. In the event of severe weather conditions, the product should be covered with tarpaulin (referenced in BBA Bulletin No 2. "Guide to Good Site Practice").



Do not use in direct contact with organic solvents



For information on details around pipes and columns as well as products designed to ease installation, or for further technical guidance, contact the Glidevale Protect Technical department on +44 (0)161 905 5700.

Associated products:

Protect Fulmetal UniRoll, Protect Fulmetal RediRoll, Protect OFV Eaves Skirt, Glidevale Ventilation Products, Protect VC Foil Ultra, Protect BarriAir, Protect Sealing Tapes.

WARM & COLD ROOF APPLICATIONS

Protect Viking Air, an air and vapour permeable underlay, is designed to be used in conjunction with cold roofs with ventilated and unventilated loft spaces (see figs 1 and 2) or warm roofs with insulation between or above the rafters (see figs 3 and 4).

In accordance with NHBC Standards, ventilation is not required for cold roof applications when using air and vapour permeable underlays such as Protect Viking Air. Glidevale Protect recommends the use of an air and vapour control layer such as Protect VC Foil Ultra at ceiling level, creating a well-sealed ceiling, to minimise vapour transfer from within the dwelling into the roof space.

Air and vapour permeable underlays, such as Protect Viking Air, are used to contribute to condensation control, and they do so by allowing air and water vapour to escape to the atmosphere via the roof covering.

Most concrete and clay tiles are sufficiently air open but if an air tight roof covering is installed, e.g. fibre cement slates and metal tiles etc., it is necessary to ventilate the batten space. In this case, 25mm counterbattens must be used above the underlay and ventilation provided - 25,000mm²/m at eaves or low level and 5,000mm²/m at ridge or high level. (See fig 2).

FIXING MEMBRANE

Membrane to be fixed with branding facing outwards.

Main roof areas

When laying Protect Viking Air over counterbattens or rafters, allow shallow drapes (max 15mm). This allows any moisture on the upper surface of the underlay to drain away safely under the tiling/slating battens, preventing ponding or wetting.

Eaves

Fit a Protect UV-resistant eaves skirt and Protect Viking Air over.

Verges

Lap underlay 25 - 50 mm onto the outer skin of masonry, or on to the flying rafter for an overhanging verge.

Ridges

Lap Protect Viking Air at least 150mm on both sides of the ridge. Protect Viking Air allows movement of air so the membrane is not required to be cut back when used with dry fixed ridge systems.

Valleys

Lay a strip of Protect Viking Air not less than 600mm wide up valleys, lapped under the main roof underlay.

Hips

Lay a strip of Protect Viking Air not less than 600mm wide up hips, lapped over the main roof underlay.

Minimum laps

Lay Protect Viking Air with minimum laps shown in the table.

Roof pitch	Horizontal lap up slope	Vertical lap across slope
12.5° - 14°	225 mm	100 mm
≥15°	150 mm	100 mm

Tile fixing

Additional tile/slate clips may be required with tiles or slates when using air permeable membranes in accordance with table H.4 BS 5534: 2014 + A2:2018. Contact tile manufacturer for specification.

COLD ROOFS

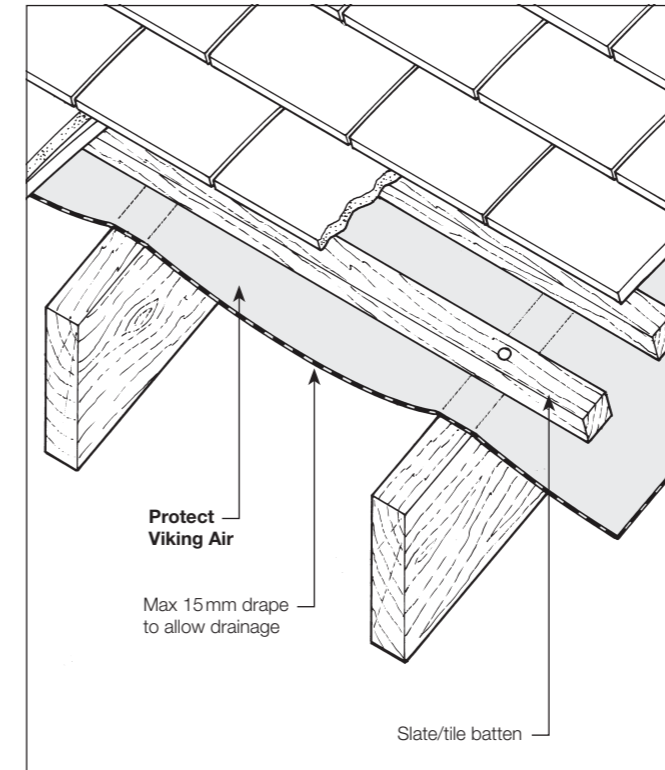


Figure 1.

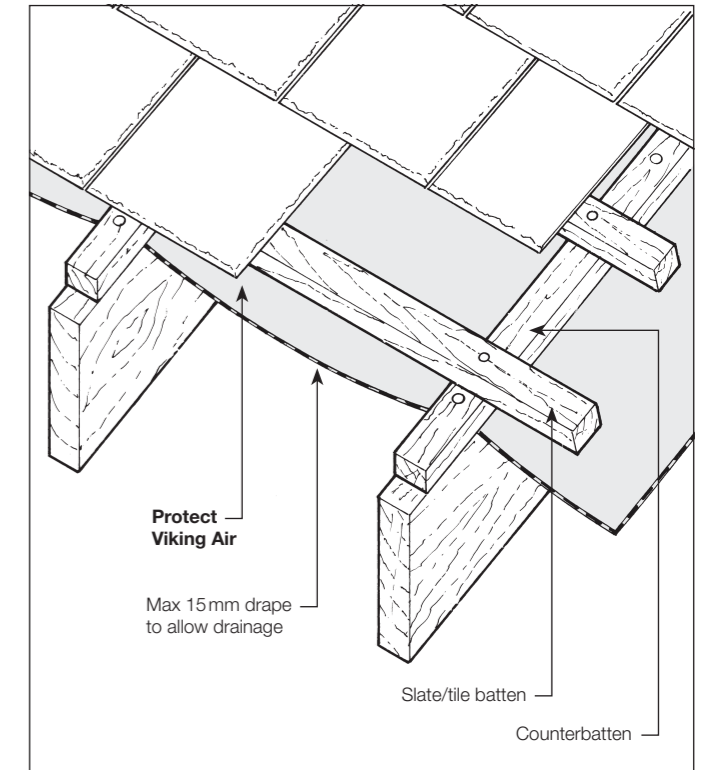


Figure 2.

WARM ROOFS

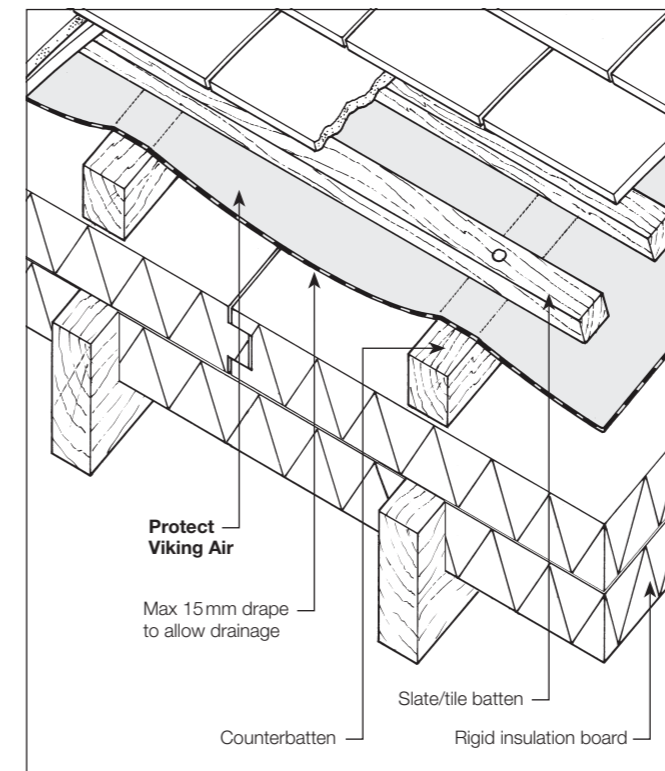


Figure 3.

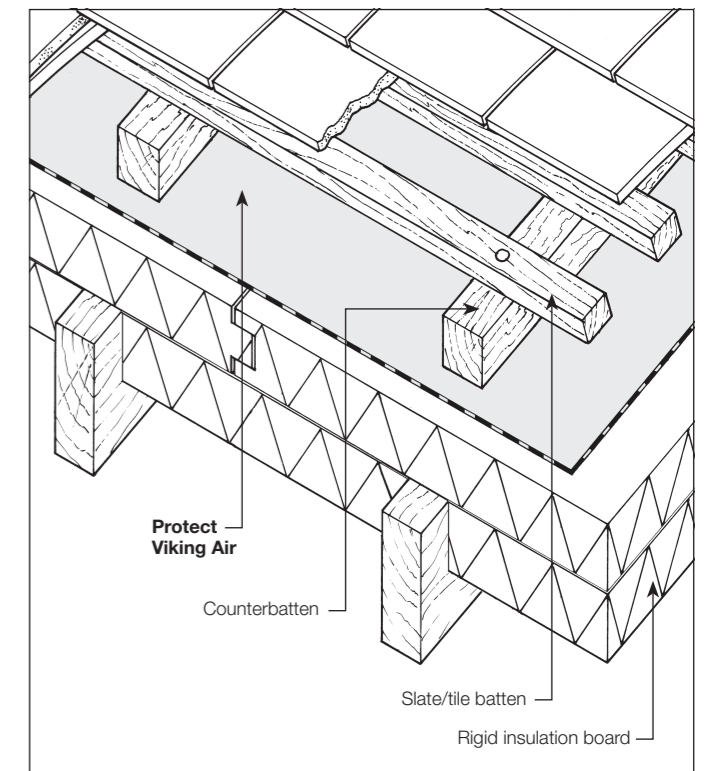


Figure 4.