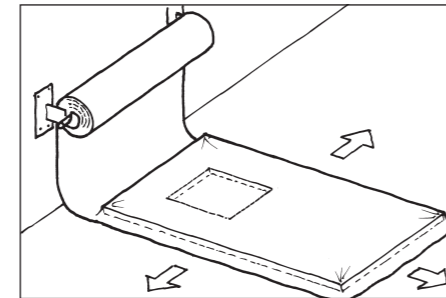
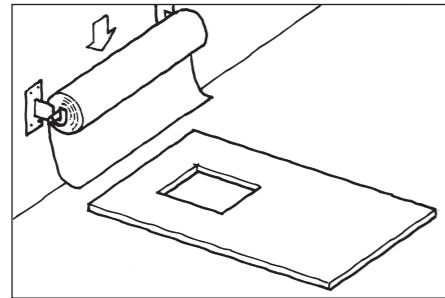


FIXING INSTRUCTIONS - PROTECT TF200 EXTREME FOR TIMBER FRAME CONSTRUCTION

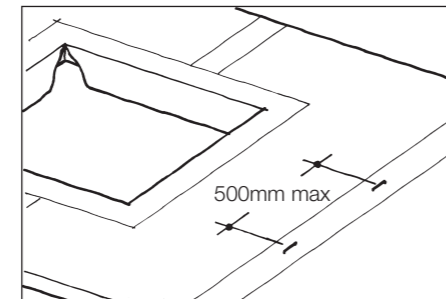
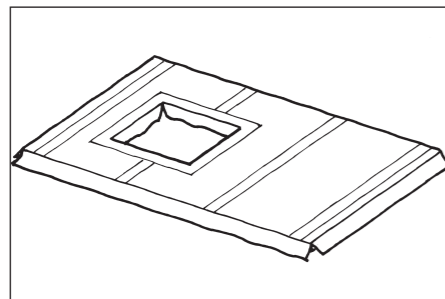
Factory fixing

1. Attach roll to holder



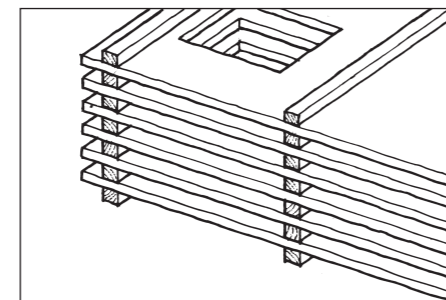
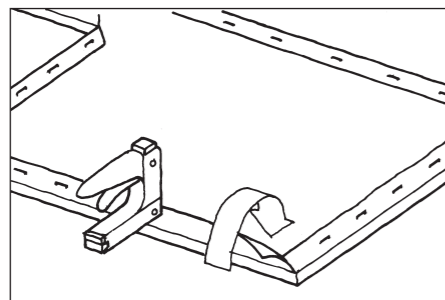
2. Pull membrane taut over panel

3. Mark out stud positions for wall tie fixings



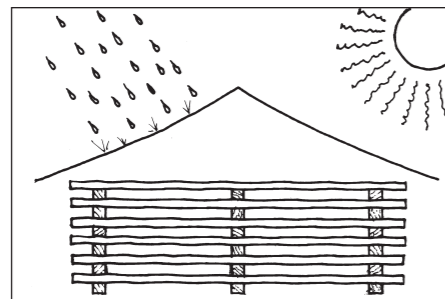
4. Secure membrane to sheathing with austenitic stainless steel staples

5. Fold back laps and staple to sheathing



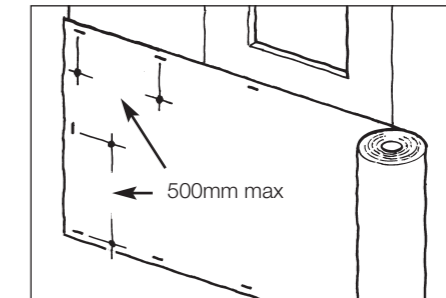
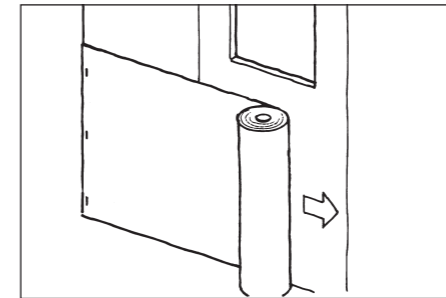
6. Store panels horizontally on battens to provide air space

7. Protect stored panels from weather



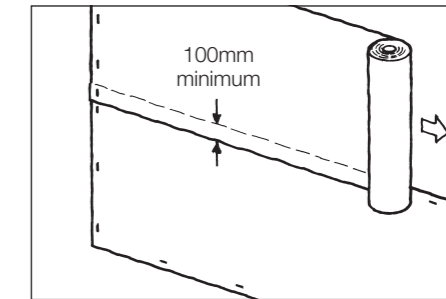
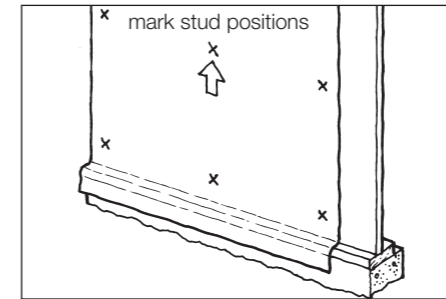
Site fixing

1. Unroll across sheathing parallel to sole plate



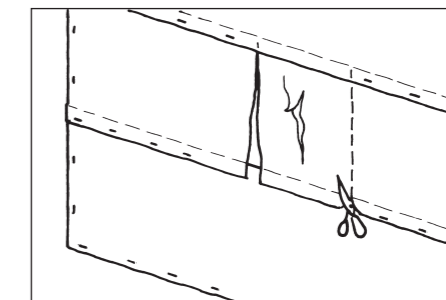
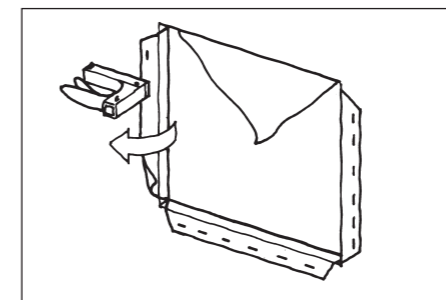
2. Secure membrane with austenitic stainless steel staples

3. Ensure lowest timbers in wall are protected



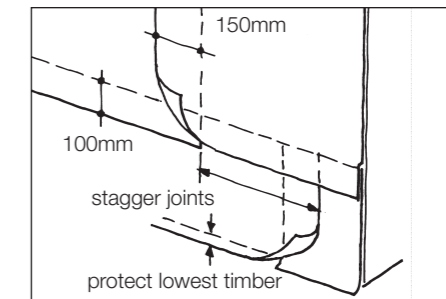
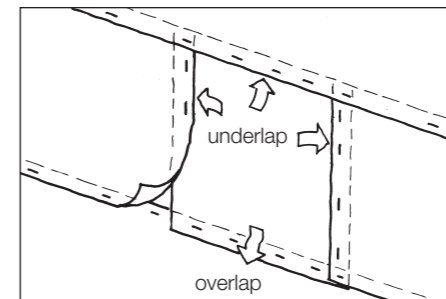
4. Fix second layer and repeat up to roof abutment

5. Dress into door and window recesses and fix with staples



6. Replace damaged and torn membrane

7. Fix patch to shed water away from sheathing



8. Lap membrane correctly

Other product purchased with this membrane:

- Protect Reinforced Universal Tape.
- Protect Reveal Tape.
- Protect Double-sided Tape.

GENERAL

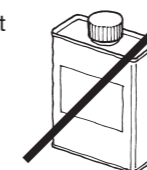
Protect TF200 Extreme must not be exposed to continuous working temperatures in excess of 80°C, such as in direct contact with hot pipes, flues or electric heating cables.

In accordance with good building practice, this product should be covered as soon as possible after installation and preferably not more than one month after initial exposure. If the exposure period exceeds one month then advice must be sought from the Glidevale Protect Technical department.

No maintenance of Protect TF200 Extreme is necessary once installed but it is important that the surface of the product remains clean during the installation process otherwise the performance may be impaired.

Protect TF200 Extreme is for use in timber frame construction on the COLD side of the insulation.

Do not use in direct contact with organic solvents



For technical advice telephone
+44 (0)161 905 5700