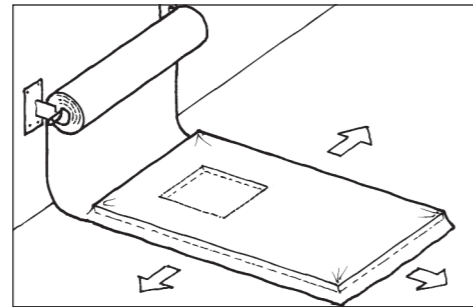
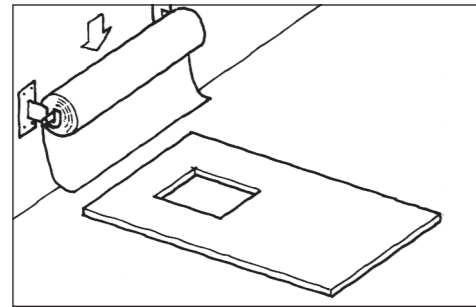


FIXING INSTRUCTIONS - PROTECT TF200 FOR TIMBER FRAME CONSTRUCTION

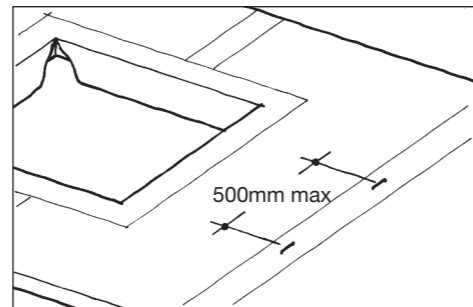
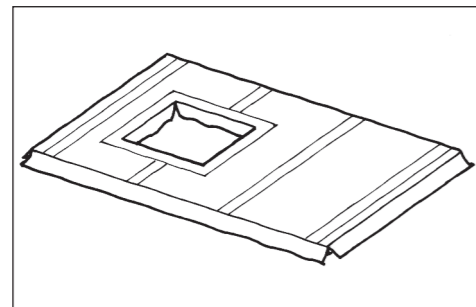
Factory fixing

1. Attach roll to holder



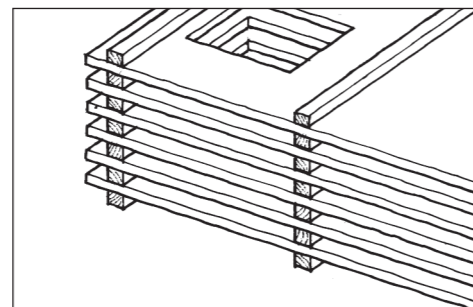
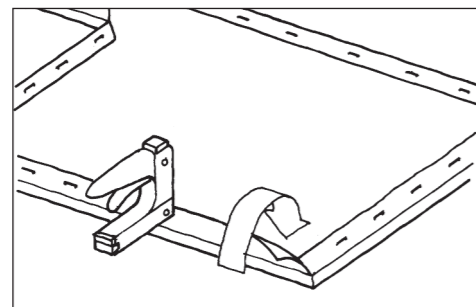
2. Pull membrane taut over panel

3. Mark out stud positions for wall tie fixings



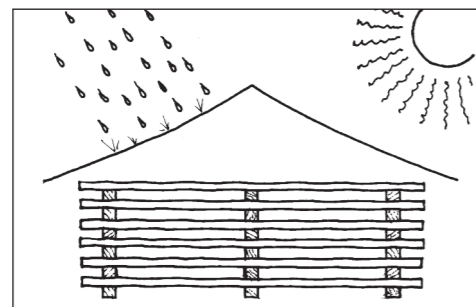
4. Secure membrane to sheathing with austenitic stainless steel staples

5. Fold back laps and staple to sheathing

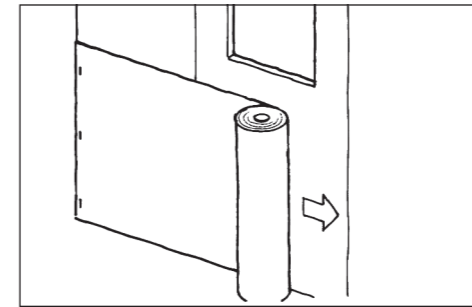


6. Store panels horizontally on battens to provide air space

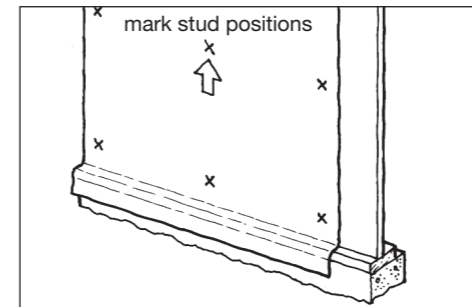
7. Protect stored panels from weather



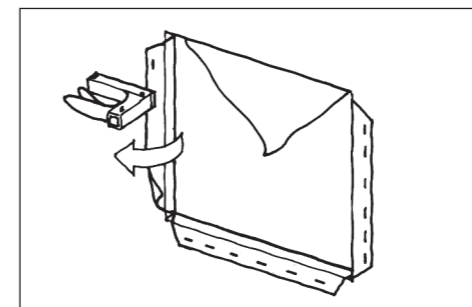
1. Unroll across sheathing parallel to sole plate



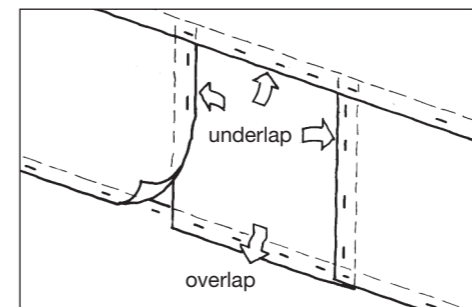
3. Ensure lowest timbers in wall are protected



5. Dress into door and window recesses and fix with staples

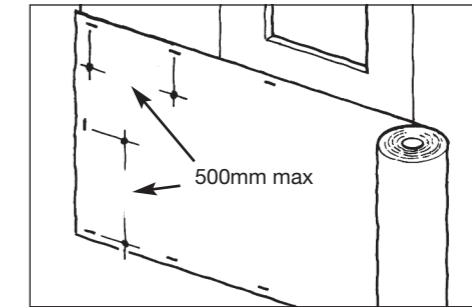


7. Fix patch to shed water away from sheathing

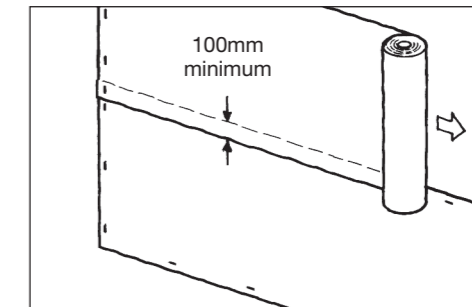


Site fixing

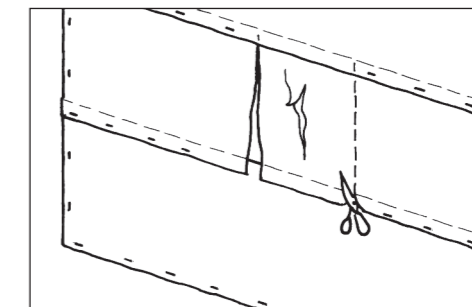
2. Secure membrane with austenitic stainless steel staples



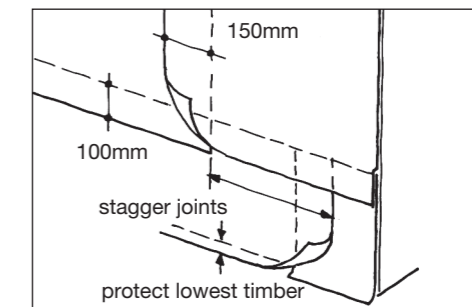
4. Fix second layer and repeat up to roof abutment



6. Replace damaged and torn membrane



8. Lap membrane correctly



GENERAL

Protect TF200 must not be exposed to continuous working temperatures in excess of 80°C, such as in direct contact with hot pipes, flues or electric heating cables.

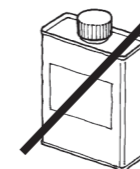
In accordance with good building practice, this product should be covered as soon as possible after installation and preferably not more than one month after initial exposure. If the exposure period exceeds one month then advice must be sought from the Glidevale Protect Technical department.

No maintenance of Protect TF200 is necessary once installed but it is important that the surface of the product remains clean during the installation process otherwise the performance may be impaired.

Protect TF200 is for use in timber frame construction on the COLD side of the insulation.

Other product purchased with this membrane:
Universal Tape.

Do not use in direct contact with organic solvents



For technical advice telephone
+44 (0)161 905 5700