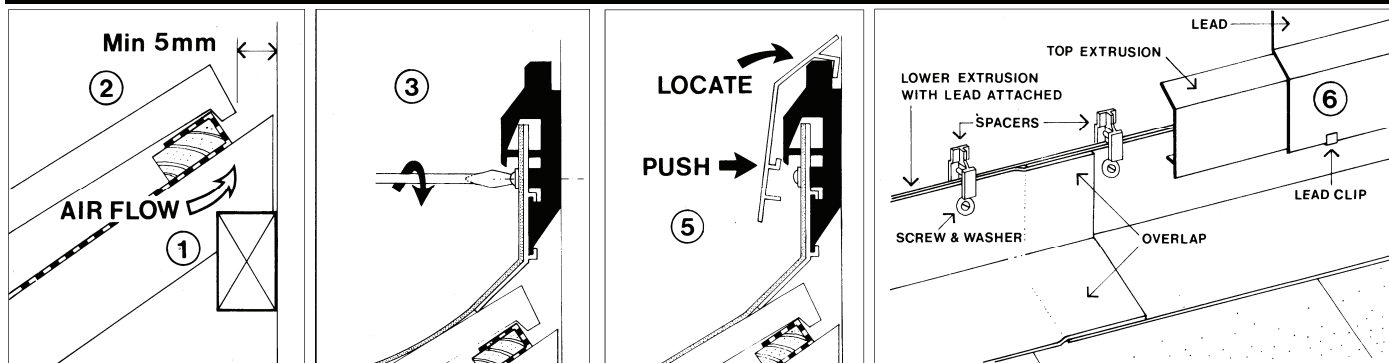


## FIXING INSTRUCTIONS

### MONO-VENT – MR50 with long and short lead



1. To ensure the construction of the roof does not obstruct the airflow, the rafters should REST ON a timber rail fixed onto the wall surface.

2. The top batten should be positioned to allow the top edge of the tiles to finish just short of the wall to provide the required 5mm gap for air circulation, the sarking felt should be returned over the top of the batten and fixed so as not to obstruct the 5mm gap.

3. Line up the spacers, already attached to the lower section, with the punched holes, offer this assembly to the wall ensuring the base of the extrusion is resting on the top surface of the roof tiles.

Mark through to the wall each of the fixing positions, bore and insert wall plugs. Using the round head screws with nylon washers, screw the unit to the wall.

4. Offer up the second and subsequent sections, ensuring the 100mm lead overlaps the previously fixed section.

Leave a gap of 5mm between lengths to allow for thermal movement. This applies to both top and bottom sections. Fix as detailed previously.

Cut the final section to the required length – be sure to cut off the left hand end leaving the overlap lead intact.

When all lower sections are fixed, dress the lead down over the roof tiles.

5. The top extrusion may now be fitted.

Locate the top hook onto the spacer and spring the lower hook onto its location by pushing hard on the centre of the front vertical face.

6. The lead flashing which covers the top extrusion may well already be protruding from the wall .

From the lower edge of the cavity tray, dress the lead down following the face of the wall and the extrusion.

Lead flashing over the completed installation should be no longer than 1.25m ensuring they overlap at the joint by a minimum of 100mm.

The lead should finish flush with the bottom edge of the extrusion and is secured with the clips provided, at approximately 300mm centres.

#### MR50 – SHORT LEAD

Contents of box (equivalent to 6m or 2.4m):  
 1 length of Mono-Vent comprises:  
 1 Top Section / 1 Lower Section with short lead attached  
 5 Spacers  
 5 Round Head Screws  
 5 Nylon Washers  
 5 Lead Clips  
 1 Instruction Sheet

#### MR50 – LONG LEAD

Contents of box (equivalent to 3.6m or 2.4m):  
 1 length of Mono-Vent comprises:  
 1 Top Section / 1 Lower Section with long lead attached  
 5 Spacers  
 5 Round Head Screws  
 5 Nylon Washers  
 5 Lead Clips  
 1 Instruction Sheet

Please note: Fixings supplied in a bag to suit number of lengths in box

Company names and product descriptions are the Registered Trade Marks of the relevant manufacturer

**FOR FURTHER INFORMATION ON ALL GLIDEVALE PRODUCTS PLEASE CONTACT:**

#### GLIDEVALE LIMITED

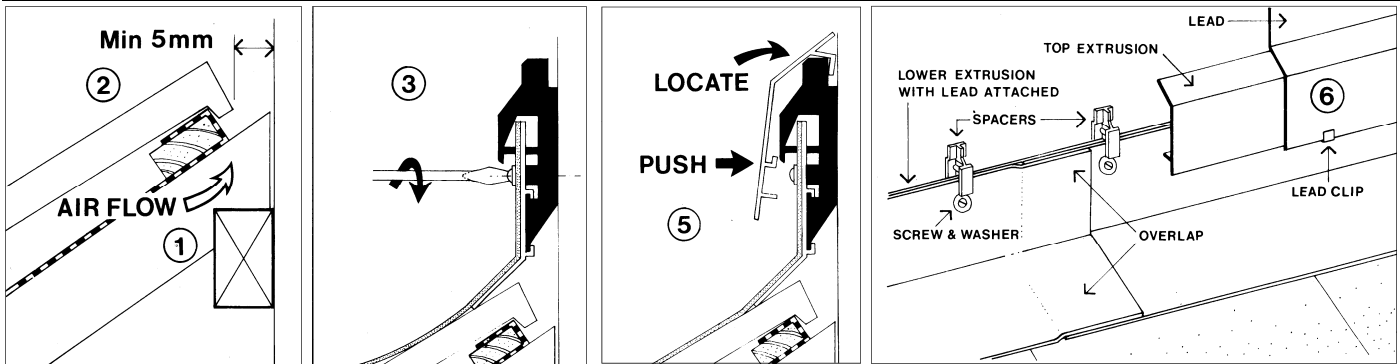
2 Brooklands Road, Sale, Cheshire, M33 3SS  
 Telephone: (+44) 0161 905 5700 Fax: (+44) 0161 905 2085 Web: www.glidevale.com Email: info@glidevale.com

**BPD**

A Member of the Building Product Design Group

## FIXING INSTRUCTIONS

### MONO-VENT – MR50 with Integral Aluflash



1. To ensure the construction of the roof does not obstruct the airflow, the rafters should REST ON a timber rail fixed onto the wall surface.
2. The top batten should be positioned to allow the top edge of the tiles to finish just short of the wall to provide the required 5mm gap for air circulation, the sarking felt should be returned over the top of the batten and fixed so as not to obstruct the 5mm gap.
3. Line up the spacers, already attached to the lower section, with the punched holes, offer this assembly to the wall ensuring the base of the extrusion is resting on the top surface of the roof tiles.  
Mark through to the wall each of the fixing positions, bore and insert wall plugs. Using the round head screws with nylon washers, screw the unit to the wall.
4. Offer up the second and subsequent sections, ensuring the 100mm Aluflash overlaps the previously fixed section. Leave a gap of 5mm between lengths to allow for thermal movement. This applies to both top and bottom sections. Fix as detailed previously.

Cut the final section to the required length—be sure to cut off the left hand end leaving the overlap flashing intact.

When all lower sections are fixed, ensure roof covering is clean, dry and dust free. Remove protective backing and dress the front Aluflash apron onto the tiles below to ensure a weatherproof junction.

5. The top extrusion may now be fitted. Locate the top hook onto the spacer and spring the lower hook onto its location by pushing hard on the centre of the front vertical face.

6. The cover flashing which protects the top extrusion may well already be protruding from the wall.

From the lower edge of the cavity tray, dress the flashing down following the face of the wall and the extrusion.

Cover flashings over the completed installation should be no longer than 1.25m ensuring they overlap at the joint by a minimum of 100mm.

The cover flashings should finish with the bottom edge of the extrusion and be secured with the clips provided at approximately 300mm centres if using lead.

#### MR50—ALUFLASH

Contents of box: 6m  
 1 length of Mono-Vent comprises:  
 1 Top Section / 1 Lower Section with Aluflash attached  
 5 Spacers  
 5 Round Head Screws  
 5 Nylon Washers  
 5 Lead Clips  
 1 Instruction Sheet

Company names and product descriptions are the Registered Trade Marks of the relevant manufacturer

**FOR FURTHER INFORMATION ON ALL GLIDEVALE PRODUCTS PLEASE CONTACT:**

#### GLIDEVALE LIMITED

2 Brooklands Road, Sale, Cheshire, M33 3SS

Telephone: (+44) 0161 905 5700 Fax: (+44) 0161 905 2085 Web: [www.glidevale.com](http://www.glidevale.com) Email: [info@glidevale.com](mailto:info@glidevale.com)

**BPD**

A Member of the Building Product Design Group