

## FIXING INSTRUCTIONS

### EAVES SKIRT

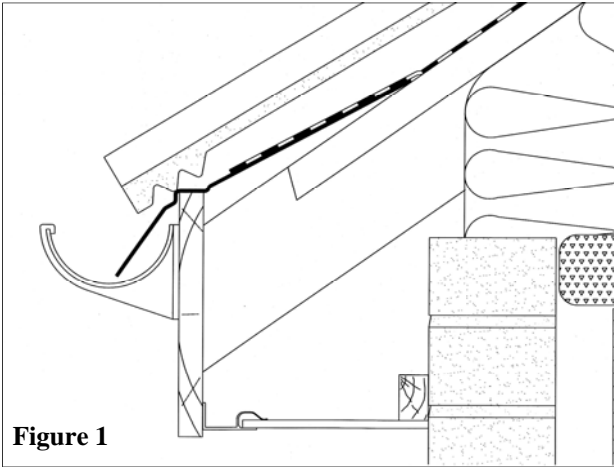


Figure 1

#### FIXING TO FASCIA BOARD

1. Position the eaves skirt on top of the fascia board as shown in Figure 1.
2. Nail at approximately 400mm centres into the centre of the fascia board or alternatively, fix to the rafters at the top edge of the skirt.
3. Repeat the above steps to fit successive lengths of eaves skirt, ensuring that they overlap the previous length by a minimum of 100mm.
4. The underlay, when laid over the skirt, should overlap to just behind the nail fixings into the fascia board.

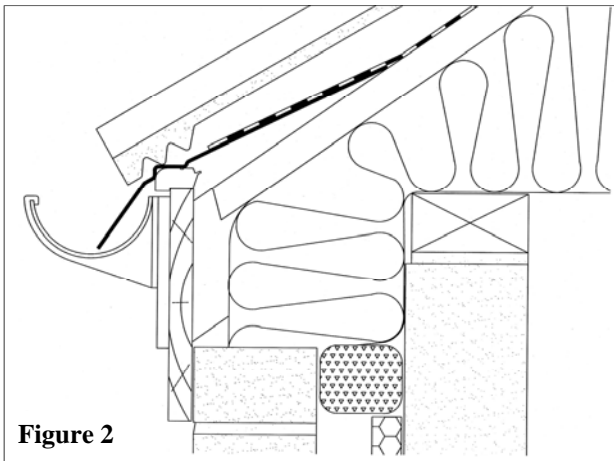


Figure 2

#### FIXING TO GLIDEVALE FV FASCIA VENTILATORS

1. Position the eaves skirt on top of the fascia ventilators as shown in Figure 2 (for FV100) or Figure 3 (for FV250). Align back indent in skirt with the slots in the top of fascia ventilators.
2. Nail through eaves skirt and ventilator slots at approximately 400mm centres or alternatively, fix to the rafters at the top edge of the skirt.
3. Repeat the above steps to fit successive lengths of eaves skirt, ensuring that they overlap the previous length by a minimum of 100mm.
4. The underlay, when laid over the skirt, should overlap to just behind the nail fixings into the fascia ventilator and board.

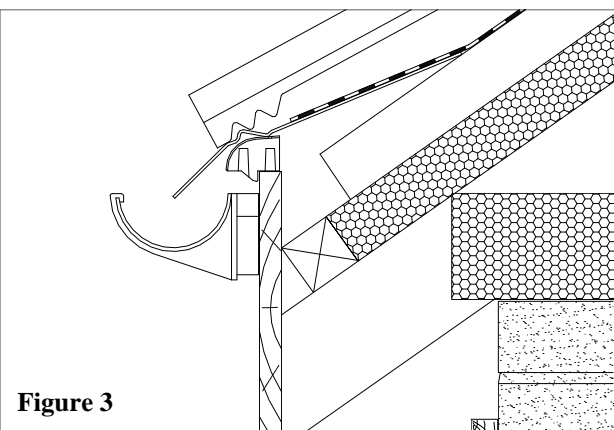


Figure 3

Other products that can be used in unison here are: A1, A1T3, Wunderlay, VP300, Zytec and VP400 Plus<sup>LR</sup> roofing underlays. All other Protect roofing accessories are suitable for use with these underlays and this product.

Company names and product descriptions are the Registered Trade Marks of the relevant manufacturer  
**FOR FURTHER INFORMATION ON ALL PROTECT PRODUCTS PLEASE CONTACT:**

#### PROTECT MEMBRANES

2 Brooklands Road, Sale, Cheshire, M33 3SS

Telephone: (+44) 0161 905 5700 Fax: (+44) 0161 905 2085 Web: [www.protectmembranes.com](http://www.protectmembranes.com) Email: [info@protectmembranes.com](mailto:info@protectmembranes.com)

